

# STAINLESS STEEL 304 PRESS FIT FITTINGS (M PROFILE)

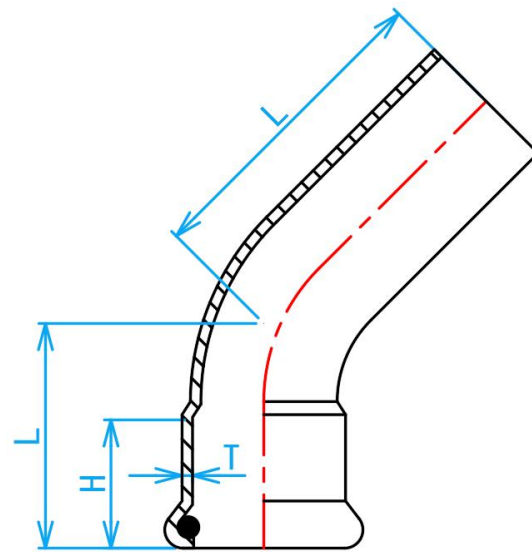
COMPLY WITH BSEN1254-2: 1998



A Product of the nPressGuard® Solution



## MXF 45° ELBOW



CROSS SECTIONAL VIEW

### DIMENSIONS

| SKU           | SIZE (mm) | L (mm) | L1 (mm) | H (mm) | T (mm) | WEIGHT (kg) | PCS/CTN |
|---------------|-----------|--------|---------|--------|--------|-------------|---------|
| SSPFNE45015MF | 15        | 35     | 31      | 20     | 1.5    | 0.036       | 360     |
| SSPFNE45020MF | 22        | 36     | 37      | 21     | 1.5    | 0.060       | 200     |
| SSPFNE45025MF | 28        | 42     | 38      | 23     | 1.5    | 0.109       | 120     |
| SSPFNE45035MF | 35        | 53     | 45      | 26     | 1.5    | 0.148       | 150     |
| SSPFNE45042MF | 42        | 61     | 54      | 31     | 1.5    | 0.180       | 60      |
| SSPFNE45050MF | 54        | 73     | 63      | 36     | 1.5    | 0.270       | 48      |
| SSPFNE45065MF | 67        | 106    | 93      | 50     | 1.8    | 0.600       | 15      |
| SSPFNE45080MF | 76        | 120    | 97      | 51     | 2.0    | 0.837       | 12      |
| SSPFNE45100MF | 108       | 164    | 130     | 75     | 2.0    | 1.600       | 4       |